

MKP LIGHTING CAPACITOR TYPE TC 844

Application

Capacitors are determined for parallel compensation of power factor ($\cos \Phi$) in circuits of lightning appliances.

Description

The capacitor winding element is made of metallized polypropylene film and is insulated closed in a metal case. Capacitors have a mechanical disconnecting device, which would disconnect the circuit at overload. For easy function of disconnecting device is necessary to drop a free space (min. 10 mm) in axial direction over the cover. Capacitors type(P) have a push-wire adapter with two couples of contacting tubes, which are an integral part of adaptor together with a discharging resistor. These capacitors are contacting when the stripped wire (with cross section 0,5 to 1,5 mm²) is slid in a contacting tube, where is self-locking held. Release of wires is possible to slide acceptable screwdriver to flat hole next to the tube. Terminals of capacitor can be contacted by inserting of two insulated wires. Length of wire stripping is 5 – 7 mm

Electrical properties

Nominal capacitance:	2 to 65 μ F (see the dimensions chart)
Tolerance on capacitance:	$\pm 10\%$ (K), $\pm 5\%$ (J)
Nominal voltage:	250 Vac 50Hz
Test voltage between terminals:	2 x U _{jm} . 50Hz / 60s
Test voltage between terminals and case:	2000V 50 Hz / 60s

Max. dissipation factor at 20°C

Measuring frequency	Max. tg δ x 10 ⁻⁴ for C _{jm} .		
	< 10 μ F	> 10 μ F < 30 μ F	> 30 μ F
50 (100) HZ	6	8	15
1 kHz	40	80	150

Type marking of capacitors

TC 844 . . – lighting capacitor for parallel compensation with nominal voltage 250 Vac / 50 Hz

1st letter indicates type of terminals

- E - soldering tags without a discharging resistor
- A - soldering tags with a discharging resistor
- P - push-wire adapter with an integral discharging resistor

2nd letter indicates case fixing system

- B - case without a base stud
- S - case with a base stud M8 x 10mm (a nut and a washer are part of the delivery)

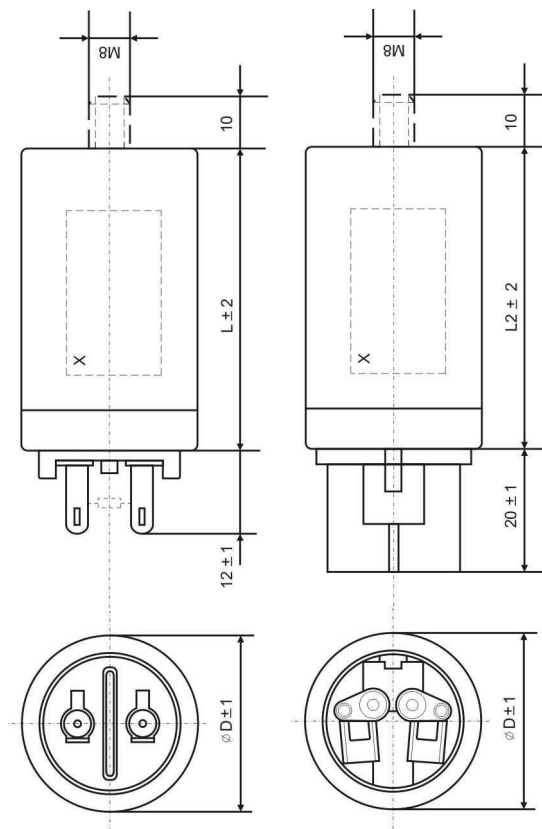
Example of marking for an order

TC 844 PS 5 μ F $\pm 10\%$ - parallel lighting capacitor 5 μ F with tolerance $\pm 10\%$ in an aluminum case with a base stud, terminals are made of an adapter with a discharging resistor.

It is necessary to complete a combination of two letters (for example PS) to the type marks for an order, because the type number is not complete without this suffix.

Dimensions

Type	TC 844 . .
Nominal voltage and climatic resistance category	50 Hz 250 V 40/100/21
C (µF)	Dimensions ØD x L (mm)
2	25 x 55
2,5	25 x 55
3	25 x 55
3,5	25 x 55
4	25 x 55
4,5	30 x 55
5	30 x 55
6	30 x 55
7	30 x 75
8	30 x 75
9	30 x 75
10	30 x 75
12	30 x 75
14	35 x 75
16	35 x 75
18	35 x 75
20	35 x 95
25	35 x 95
30	45 x 75
32	45 x 75
35	45 x 95
40	45 x 95
45	45 x 95
50	45 x 120
60	45 x 120
65	45 x 120



Capacitors accord with a requirements of norm ČSN EN 61048, that is coincident with IEC 1048.